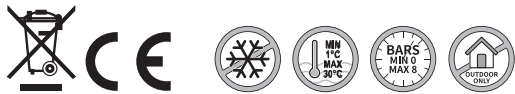


## Single Outlet Electronic Water Timer



### INTENDED USE

This device is designed to automatically control irrigation and sprinkler systems in domestic, non-commercial outdoor areas.

### SAFETY

- This is not a toy. Keep this product and its packaging out of reach of children and never allow them to play with this device.
- Before using this product inspect it for visible signs of damage. Do not use if it has been damaged or dropped.
- Avoid positioning this product in location where it may be exposed to direct heat e.g. solar radiation.
- Protect the timer and its parts from freezing. Remove the timer from the tap and store indoors in the winter periods or when temperature may fall below 5°C.
- Regularly check the device and if it is securely connected to the tap. Tighten up the connection if necessary.
- Remove the batteries from the device if you are not planning to use it for an extended period.
- Do not throw batteries into a fire. Never short-circuit the batteries. Observe correct polarities when installing batteries (+/-). Do not attempt to recharge non-rechargeable batteries. Do not allow children to handle, replace or insert the batteries.

### SETTING UP

#### Battery installation

Unscrew and remove clear cover on the front of the timer ⑧. Slowly slide out the battery box from its compartment located on the front of the timer ①. Install two new 1.5V alkaline batteries (size AA). Replace battery box and the cover.

#### Function test

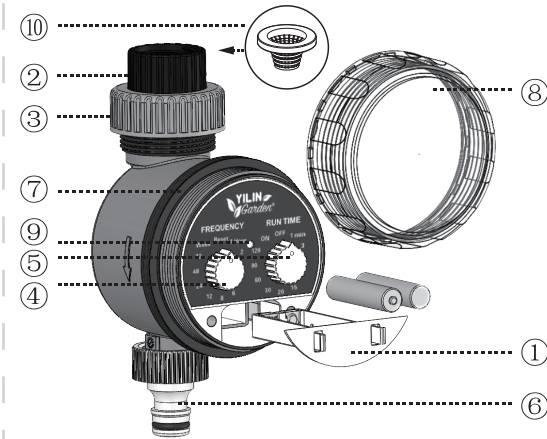
Before setting the timer up test the unit by turning the RUN TIME dial from the "OFF" to "ON" position. You should hear the sound of the motor within 30 seconds. If you do not hear the motor, check to be sure the batteries are correctly installed.

### INSTALLATION

Hold the unit steady. Loosen the LARGE LOCKING COLLAR RING ③ located in the top of the timer until the inner BLACK TAP ADAPTOR ② is loose. Screw the BLACK TAP ADAPTOR ② onto the tap until it is tight, and then hand tighten the LARGE LOCKING COLLAR RING ③ to fit the timer onto the tap. Turn on the tap to open the flow of water.

NOTE: Do not use wrenches or pliers to tighten the collars as this may cause damage to the device.

Connect hose attachment to the male snap-on connector ⑥ at the bottom of the timer.



- |                         |                           |
|-------------------------|---------------------------|
| ① Battery Compartment   | ⑥ Male Hose Connector     |
| ② Tap Connector/Adaptor | ⑦ Rubber Seal             |
| ③ Collar ring           | ⑧ Clear Cover             |
| ④ Frequency Dial        | ⑨ Battery Light Indicator |
| ⑤ Run Time Dial         | ⑩ Water Filter            |

### TIMED IRRIGATION PROGRAMMING

#### ④ Adjusting the frequency of watering

Turn the FREQUENCY adjustment dial to set the desired frequency setting.

#### ⑤ Adjusting the irrigation time

Turn the RUN TIME adjustment dial to set the desired time setting. You can set the water timer to water your garden from 1 minute up to maximum of 120 minutes.

NOTE: The first time you set the timer, it will not begin watering until after the time delay. The time delay is the number of hours to which you set the FREQUENCY dial.

### MANUAL WATERING

You can use the "ON/OFF" functions at any time without interrupting the FREQUENCY setting. Just turn the RUN TIME dial to the "ON" position to manually water your garden. When finished turn the dial to "OFF" position, wait 5 seconds and then return the RUN TIME knob to your desired setting.

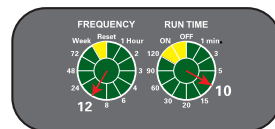
NOTE: Replace the waterproof cover ⑧ after programming ensuring that it is tightly fitted onto the timer.

Repeat above steps on both water outlets. You can create different watering scheduled on both sides of this device.

### EXAMPLE SETTINGS

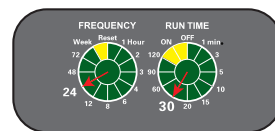
#### A. You want to water every morning at 6:00 AM and every evening at 6:00 PM for 10 minutes each session:

You must program your timer at either 6:00 am or 6:00 pm (the hour that you want to begin watering). At 6:00 AM OR 6:00 PM set the FREQUENCY knob to 12 (hours) and the RUN TIME knob to 10 (minutes). AFTER 12 HOURS, the timer will begin its first program and run for 10 minutes. 12 hours is the time delay before the timer begins its first program. The timer will now water every day at 6:00 AM and 6:00 PM for 10 minutes until you change it.



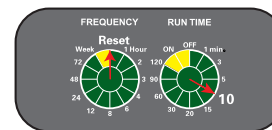
#### B. You want to water every morning at 7:00 AM for 30 minutes:

At 7:00 AM, set the FREQUENCY knob to 24 (hours) and the RUN TIME knob to 30 (minutes). The timer will not begin its program until THE NEXT DAY AT 7:00 AM when it will water for 30 minutes. The timer will now water every day at 7:00 AM for 30 minutes until you change it.



#### C. You want to water just one time for 10 minutes. (No programmed watering)

At this time, you just want to manually water the garden for a period of time, set the FREQUENCY knob to RESET and the RUN TIME knob to 10 (minutes). The timer will start watering immediately and will stop after 10 (minutes).



### NOTES

1. The timer starts keeping time when you set it. You MUST set the timer at the hour you want it to run. For example, as in Sample Program B above, if you want the timer to come on at 7:00 AM you must physically set it at 7:00 AM.
2. You may change frequencies and run time at any time by just turning the Frequency knob or the Run Time knob to a new setting.
3. To STOP the timer and cancel the frequency setting, turn the RUN TIME knob to OFF. All watering will stop. To reactivate, you must reprogram the timer from the beginning.

### TROUBLESHOOTING

If the water does not come on, please check the following:

1. Make sure the faucet/tap is turned on.
2. Check to be sure the batteries are in good condition and are installed correctly. The battery indicator on the front of the device will flash rapidly (every 1s) when the battery power is too low to operate the timer. Change batteries for brand new ones.
3. Check to be certain that the frequency and run times are the same as you set them.
4. Make sure that the frequency setting is longer than the run time. For example, you cannot set the frequency at the 1 hour setting and have the run time set for anything over 60 minutes.

### DISPOSAL

To protect the environment, do not dispose of electric equipment together with household waste material! In observance of European Directive 2012/19/EU on waste electric and electronic equipment and its implementation in accordance with national law, electric equipment that have reached the end of their life must be collected separately and returned to an environmentally compatible recycling facility.

Imported and distributed by:  
Bonnington Plastics Limited,  
Nottingham, NG8 4GP

