

greenhouse

paraffin heater

perfect for keeping greenhouses warm in the winter



Please take time to familiarise yourself with the product prior to assembly. It is important to read all of these instructions and safety tips carefully before using the product. To avoid any accidents or damage to the product, please follow all assembly instructions, only use the product as instructed and only for its intended use. Retain these instructions for future reference and if you are passing this product to a third party, always make sure this documentation is included.

Intended use

This paraffin heater is designed to provide warmth in the greenhouse during winter months to prevent the plants from freezing. It is intended for use in domestic environment and in the greenhouse only. This paraffin heater is designed for use with paraffin conforming to the requirements of BS 2869 C1. No other fuel must be used. It is not suitable for commercial use or use in living areas e.g. house, caravan, boat, tents, etc.

Safety Notes

Keep the paraffin heater at safe distance of minimum 1m (3') from any adjacent objects or surfaces.

Keep combustible materials at least 1m (3') away from this heater.

Position on flat, stable and non-flammable surface.

Do not use the paraffin heater in the vicinity of flammable liquids such as petrol/fuel oil.

Do not use it in areas where fuel, paint or flammable liquids are used or stored.

Only use in well ventilated areas to ensure correct dispersal of the products of combustion.

Keep children and pets away from this heater. Do not allow children to play with or light this heater.

CAUTION! Surfaces of chimney and the heat spreader on top will become very hot and cause burns.

Particular attention has to be given where children and vulnerable people are present.

Do not touch with bare hands! Wear appropriate heat protective gloves.

Use funnel when filling the tank with paraffin to avoid any spillages. Wipe off any spilled or surplus paraffin.

Do not carry or lift when alight.

Ensure the heater is fully extinguished and cooled down before relighting or refilling.

This paraffin heater is designed for use with paraffin conforming to the requirements of BS 2869 C1. No other fuel must be used.

Do not overfill the tank.

Do not use containers that have held petrol or methylated spirit.

Do not use for cooking.

Do not let water let the fuel tank.

It is important, even on cold days & nights, to have ventilation otherwise the burners can be starved of oxygen and the flame will die down. Allow a minimum of 38cmsq (6"sq) of opening for adequate ventilation.

Draughts should of course be avoided.



Scope of Delivery

1. Fuel Tank
2. Chimney
3. Heat Spreader
4. Burner Head
5. Wick Straps
6. 4x Fixing Screws



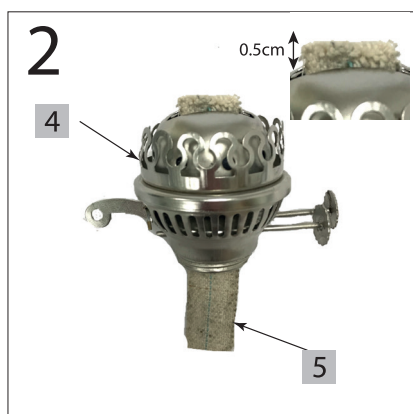
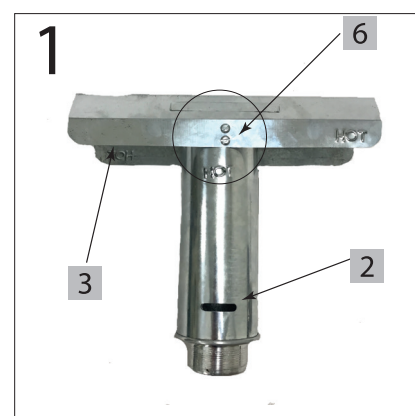
Assembly Instructions

Step 1. Secure the flame spreader onto the chimney using 4 x screws provided. Tighten up fully.

Step 2. Insert the wicks from underneath the burner head, pull them out approx. 5mm using the control knobs.

Step 3. Screw the burner onto the fuel tank. Open the fuel cap and fill the tank with paraffin using a funnel. Leave 10mm space in top of the tank. Replace the fuel cap.

Step 4. Follow below instructions for lighting and place the chimney securely on top of the burner once alight.



Operating Instructions

Fill the tank with maximum 4 litres of paraffin conforming to requirements of BS 2869 C1. Allow 10mm air space from the top of the tank.

Allow at least an hour for the wicks to absorb the fuel before trying to light the heater. Do not light dry wick.

Ensure the wicks stick out approx. 5mm out of the burner's head when lighting the heater.

Fit the chimney onto the burner.

Check the height of the flame 5, 15 and 40 minutes after lighting. Adjust as necessary to ensure you have smokeless flame. Keep wicks low, if used on higher flame setting the wicks will dry out and smoking will occur.

To extinguish the flame, turn the wicks down and blow through the hole in the bottom of chimney.

Always extinguish the heater and allow to cool down before refuelling.

Before lighting new wicks or old wicks after a period of disuse, remove wicks from the burner and allow to dry. If the wicks are damp the siphoning action will not commence. Once dry refit the wicks and allow them to absorb the paraffin.

When not in use, empty the fuel and store in dry location, safely away from reach of children.